

USER MANUAL



Thank you for choosing Better Bathrooms.
Please read this manual before installing your product
and keep for future reference.

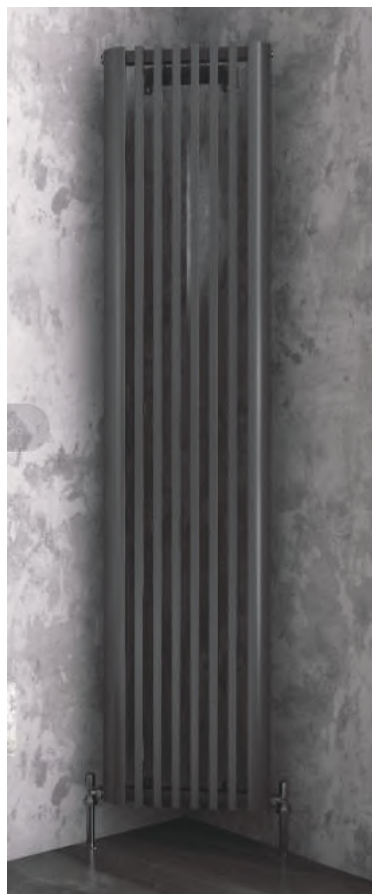
**better
bathrooms**

Product Name

Aster - Vertical Corner Traditional Radiator

Product code

ASTW1800 ASTA1800



- **Single-person assembly**
- **Tools required**
- **We always recommend using professional tradespeople to install your product**

V1-.08.01.24

Congratulations on your purchase

And welcome to our growing gang of savvy shoppers

We're on a mission to bring you extraordinary bathroom products, for less. From modern to traditional style ceramics, plus the gorgeous fixtures, fittings and furniture to match. So, you can fall in love with your space every single day.

As one of the UK's largest independent bathroom stores, we've received countless awards; including the National Business Awards UK, the Digital Entrepreneur Awards and being placed on The Sunday Times Fast Track 100.

We hope your new product goes above and beyond your expectations. However, should any problems occur, please:

- log in to your account and contact our customer services team via your self-serve portal – betterbathrooms.com/CustomerAccount/Login
- contact us via betterbathrooms.com/content/contact-us

Important information

- Please read these instructions thoroughly and retain for future reference
- Manufactured to BS EN 442-1 Radiators and convectors
- Please ensure that the product is checked for damage prior to installation, any damage reported after installation will not be covered.
- The pipework must be flushed out to remove any debris which can affect the function of this product.
- A corrosion inhibitor should be used in your installation.

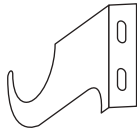
BTU & Wattage info-

Product Code	BTU	Wattage
ASTW1800	3330	976
ASTA1800	3330	976

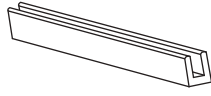
Contents

- Component Listing
- Technical Drawing
- Tools Required
- Installation Notices
- Installation Instructions
- Maintenance, Care & Cleaning

Component Listing



Wall bracket
X4



Silicone Gasket
X4



Masonry Wall Plug
X8



Long Screw
X8



Airvent
X1

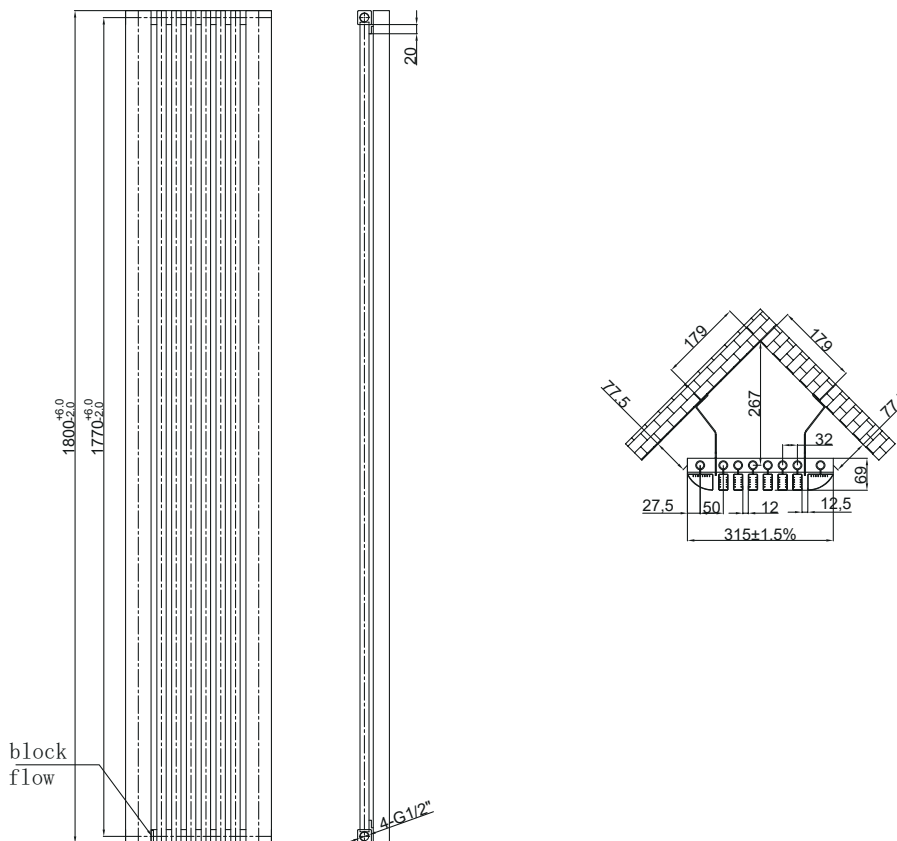


Blanking plug
X1



O-ring
X2

Technical Drawing



Tools Required

Safety Notice:

Prior to drilling into walls, check there are no hidden electrical wires, cables or water supply pipes. Always wear protective equipment such as safety glasses and hearing protection whilst using power tools.

Tools for installation (not supplied)

		
Electric drill	PTFE Tape	Spirit Level
		
Wrench	Screw driver	

Installation Notices

Before Installation, please read this guide carefully.

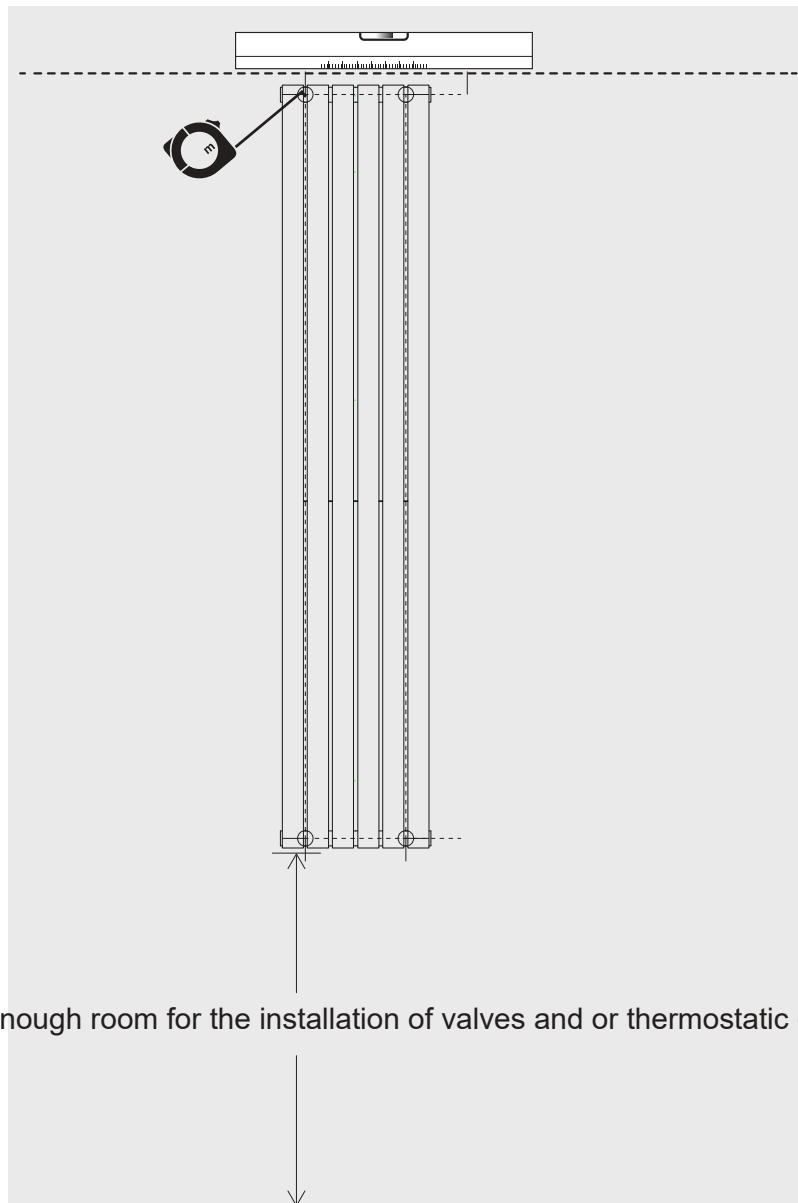
- A fully qualified and competent person should install this product.
- Observe all local plumbing and building codes.
- Shut off the main water supply.
- The radiator should only be filled with water at a temperature below 100 °C. If the temperature exceeds 48 °C, please install a warning sign near the product to avoid burning and scalding accidents.
- Select the desired location for the radiator ensuring the chosen wall is both strong enough and suitable to carry the weight of the radiator when full of water.
- When cleaning, never use abrasive cleaners on this product as they will damage the surface. Wipe the surface clean with a soft, damp cloth.

Installation Instructions

1

Position the towel rail in desired location, check for level and mark four equal positions for the brackets.

Make sure the radiator is installed vertically.

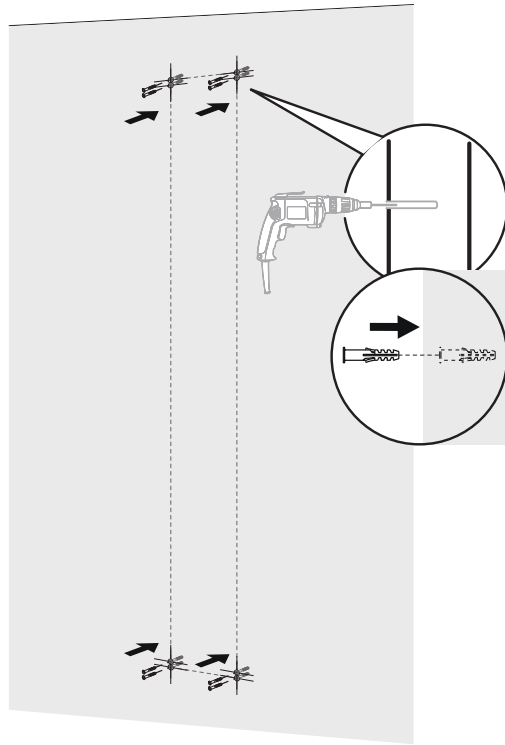


CAUTION

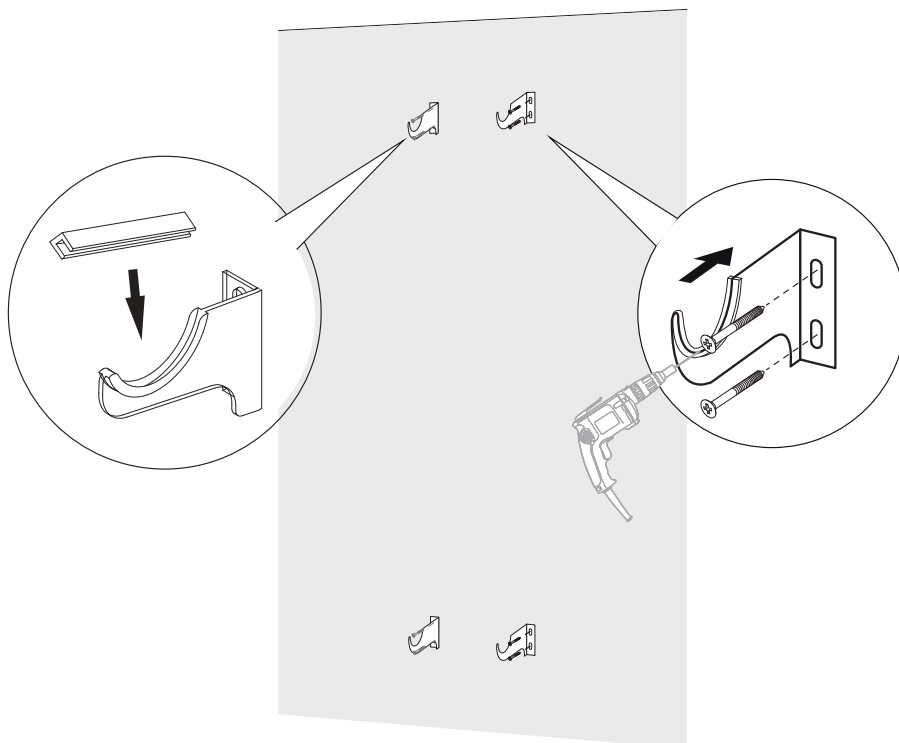
Before installation place a dust sheet on the floor to prevent losing any small parts.

2

Drill holes in wall and insert wall plugs. N.B for false or studded walls different fixings can be purchased from your local DIY store.

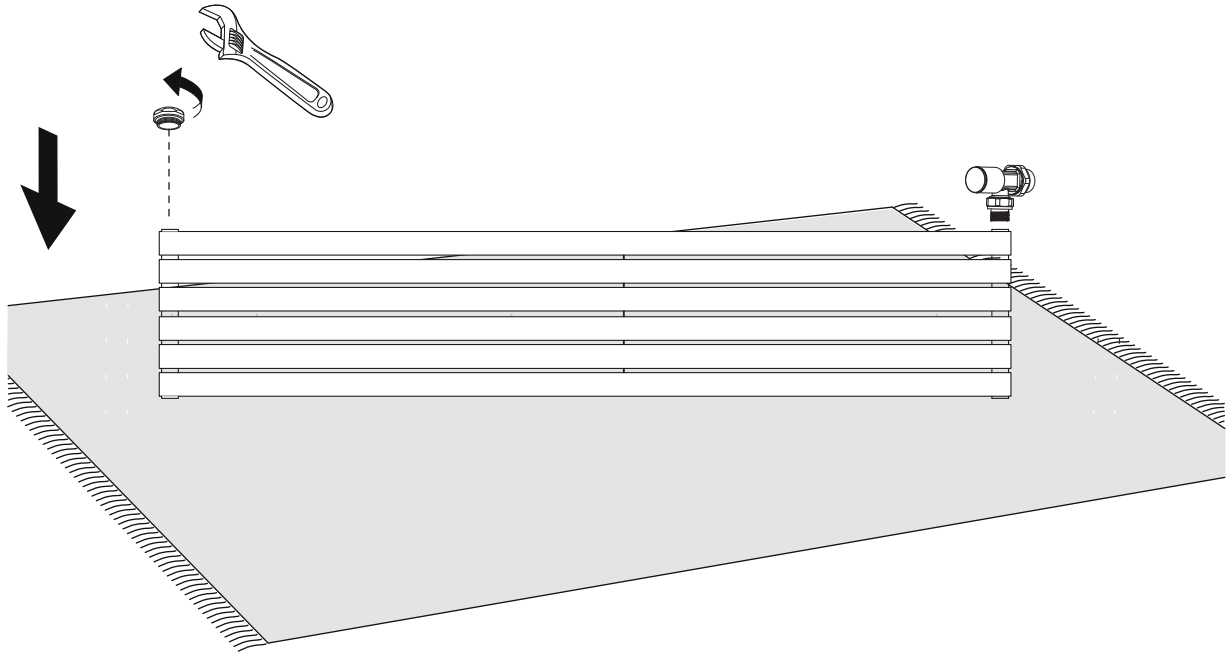
**3**

Drill holes in wall and insert wall plugs. N.B for false or studded walls different fixings can be purchased from your local DIY store.



4

Wrap PTFE tape around blanking plug and bleeder valve and screw into top of radiator tighten with a spanner.



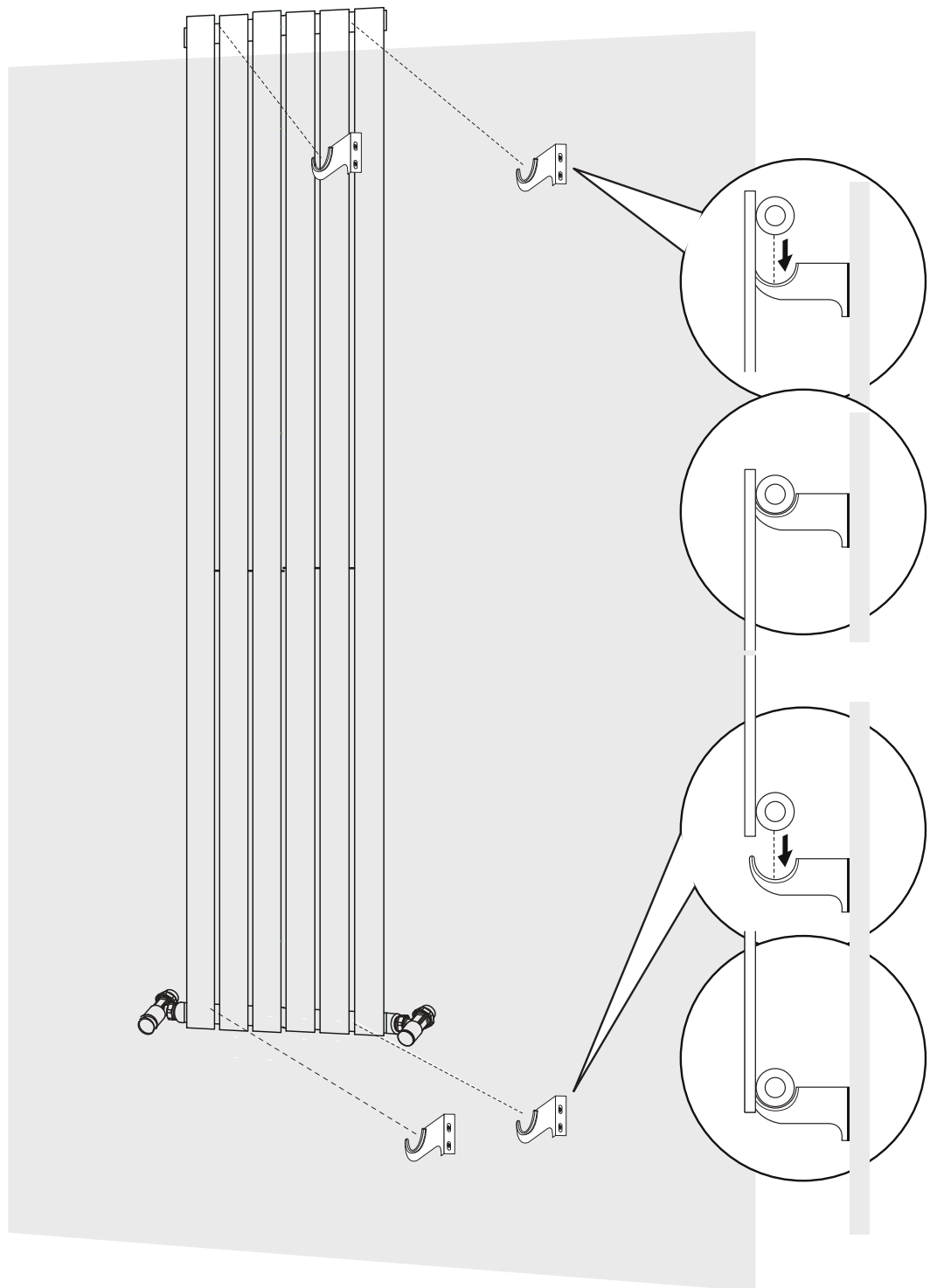
Apply PTFE tape to valves and screw into bottom of radiator tighten with a spanner.



Rest radiator onto bracket and connect valves to household supply.

“The product includes a flow block to improve circulation, this must be fitted at the bottom, as shown in the Technical drawing”.

“Inlet valve and outlet valve, must also be fitted to the bottom”



After installation

- After the above installation, turn on the water supply and using the flathead screwdriver, open the air vent via the central screw, open the inlet valve and let the water rush into the radiator. Check all connections for leaks.
- Once water overflows from the air vent, this means that there will be no air bubbles present.
- Use a screwdriver to close the air vent and then the radiator is ready to use.

Cleaning

This radiator is made from steel with a painted finish. To maintain the surface of your product (especially when subjected to steam or splashes), wipe with a clean damp cloth and wipe dry.

Do not use abrasive cleaning agents or materials which can strip and scratch the surface; the use of these agents or materials can invalidate your guarantee.

It is recommended to wipe and dry on a regular basis.

For more information

- visit betterbathrooms.com
- email customerservices@buyitdirect.co.uk
- call 0330 390 3062
- write to Trident Business Park, Neptune Way, Huddersfield, HD2 1UA

better 
bathrooms

Part of the BuyItDirect Group